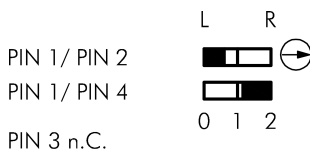
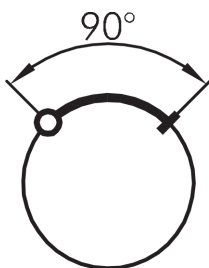
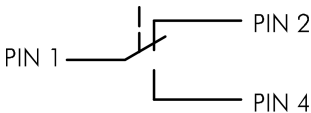
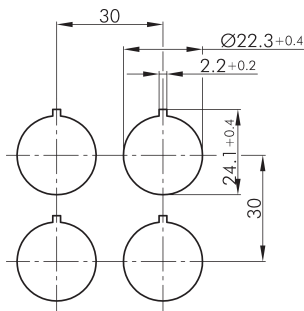
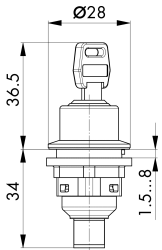




**Key-operated switch, maintained, with 4-pole M12 connector  
SSSA170I\_C008**

Description: with integrated 4-pole M12 connector, A coded including two keys other lock types on request



Category: Key switches (momentary/maintained)  
 Series: SHORTRON® connect  
 Panel cut-out: Ø 22.3 mm  
 Mounting depth: 33.7 mm  
 Protection class: II (protective insulation)  
 Degree of protection: IP65 (in the front); IP65 / IP67 (on the rear with plugged-in M12 connector)  
 Switching function: maintained action  
 Travel: 2.3 mm (pushbutton)  
 Illumination: no  
 With labelling option: no  
 Contact equipment: 1 NC + 1 NO  
 Connection type: 4-pole M12 connector (integrated), A coded silver-coloured  
 Front bezel  
 Storage temperature: -40°C ... 80°C  
 Positive opening: acc. to EN60947-5-1, appendix K  
 Operating temperature: -25°C ... 70°C  
 Mechanical life: 30,000 switching cycles  
 Electrical life: 30,000 switching cycles at rated load  
 Shape: round  
 Contact material: AgNi



Legend  
**I= Switching position =>**

**Spring return O= Key  
removable position**